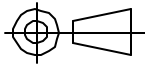
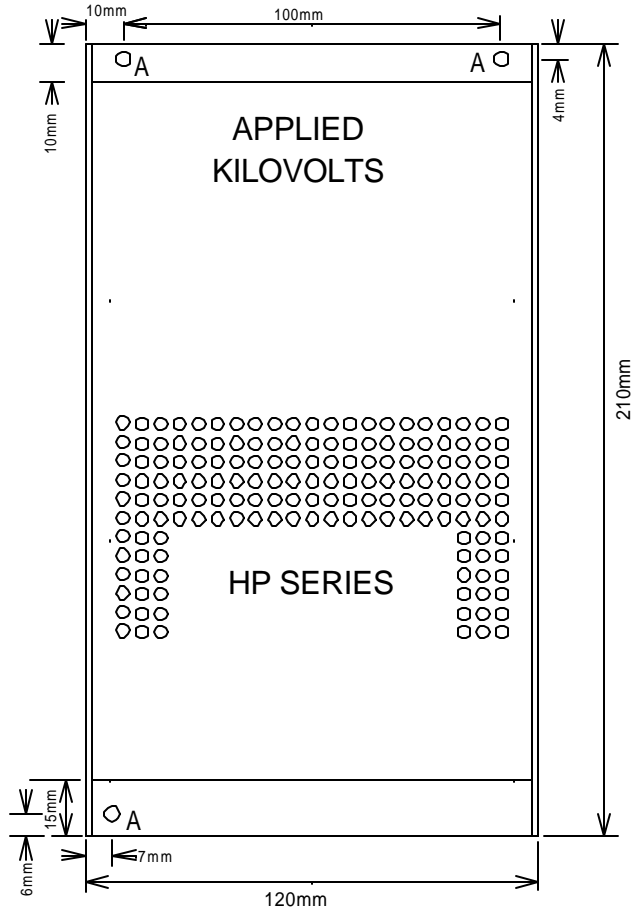
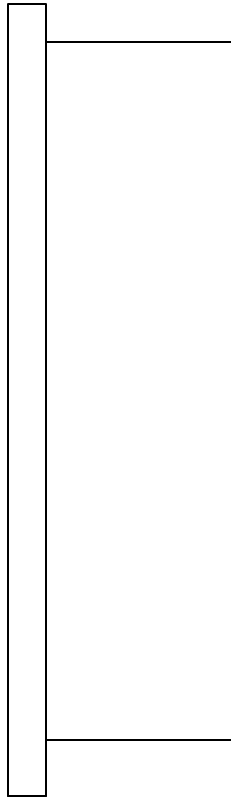


THIRD ANGLE PROJECTION

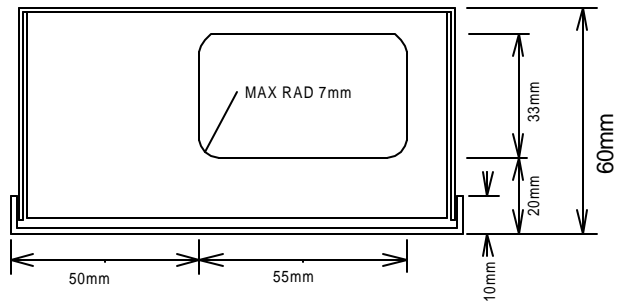


DO NOT SCALE

REMOVE ALL BURRS AND SHARP EDGES



Fixing Holes
3 off M4 Clearance holes marked 'A'



© COPYRIGHT AND CONFIDENTIAL

MATERIAL	
FINISH	
ARTWORK	

TOLERANCES	
OVERALL DIMENSIONS	±0.5mm
HOLE POSITIONS	±0.2mm

APPLIED KILOVOLTS LTD		01273 439440	
TITLE Case drawing for HP20, HP30 & HP3F10			
Date	18/10/99	Iss	A
Drg No	AK70014		